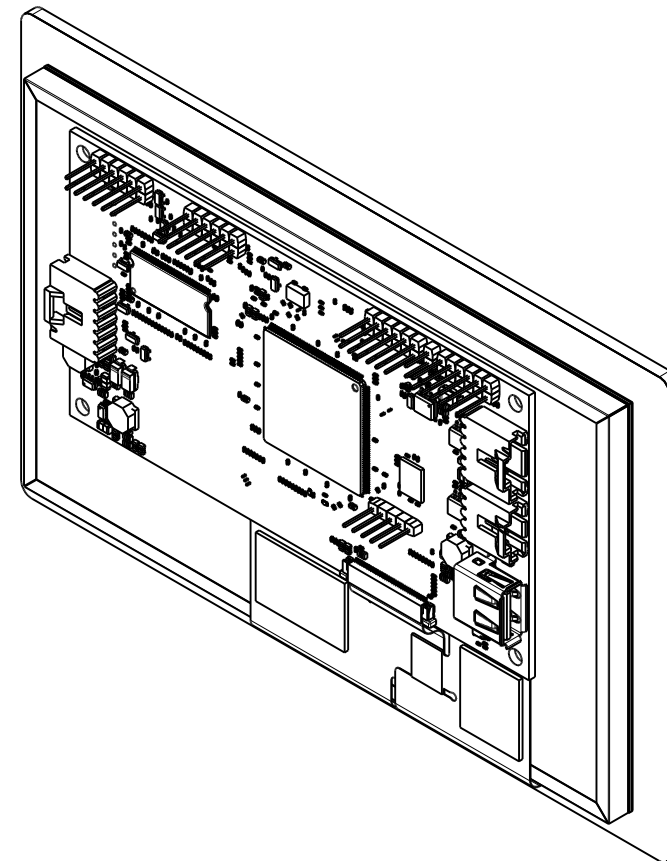
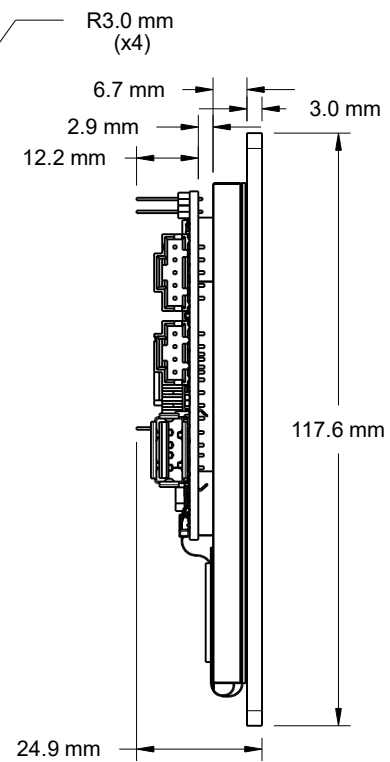
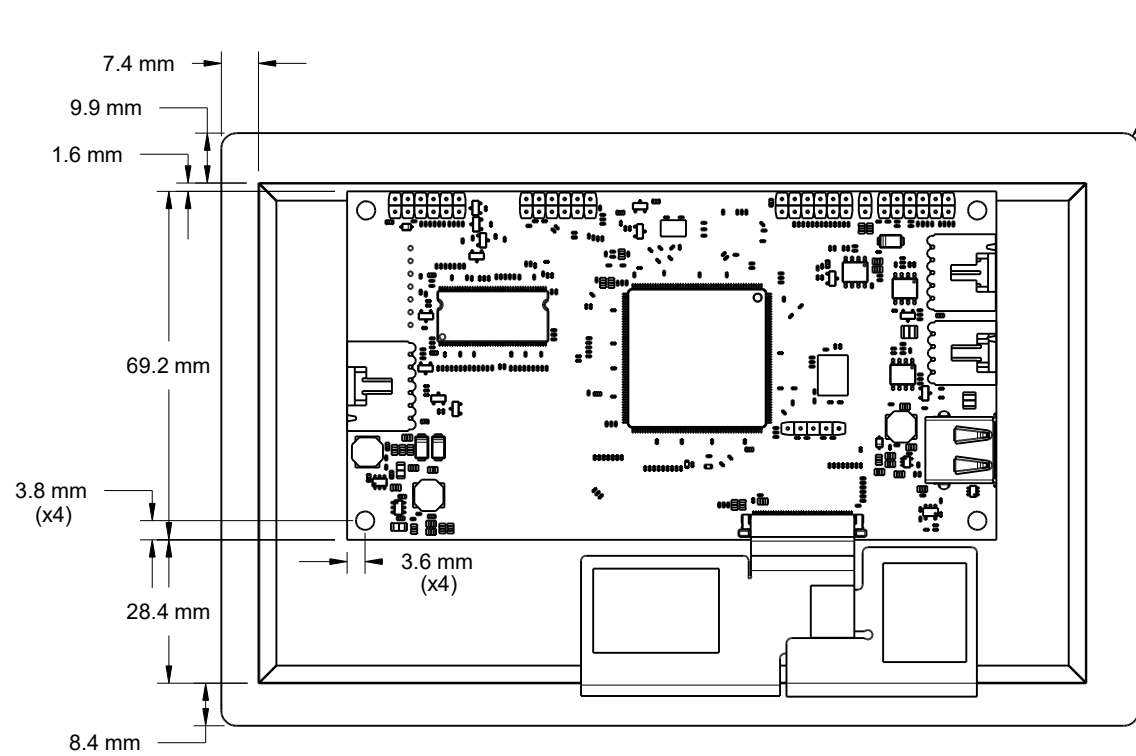
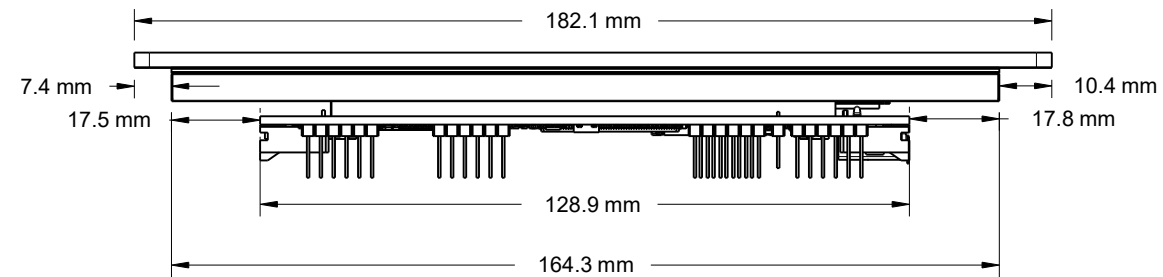



REVISIONS				
ZONE	REV	DESCRIPTION	DATE	APPROVED
	1	- Changed adhesive location and thickness - Removed components not used by this config	11/10/2021	B.Hayes



 <b>CREEKSIDE</b> CONTROLS (502) 324-3120 www.creeksidecontrols.com 1616 Grey Owl Ct Louisville, KY 40223	DRAWN B. Hayes	DATE 11/10/2021	COMPANY <b>Creekside Controls</b>			
	CHECKED		PART <b>PF-221-0, StreamUXMax7, 16MB</b>			
	QA		SIZE <b>B</b>	FSCM NO.	DWG NO. DW-121-9	REV 1
	MFG		SCALE 1:1	SHEET 1 OF 1		
	APPROVED					